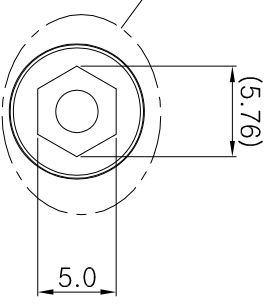
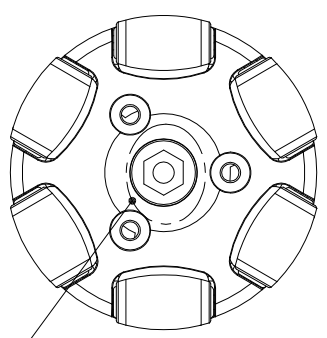
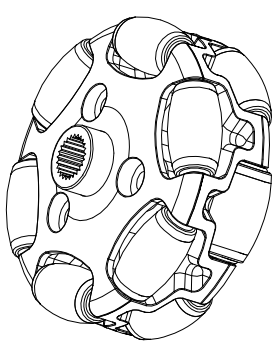
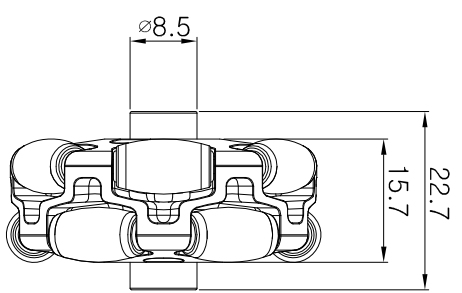
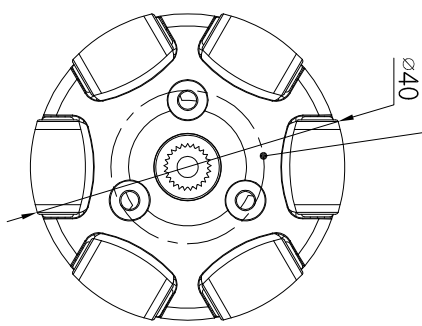
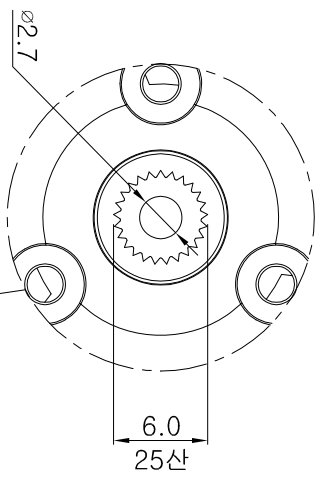


| | | | |
|-----|-----------------|----------|--------------|
| No. | CHANGE CONTENTS | REVISION | CHANGE CAUSE |
|-----|-----------------|----------|--------------|



| | | | | | | |
|-----------|----------|-------------|---------|----------|---------------|---------------------|
| No. | PART No. | DESCRIPTION | Q'TY | MATERIAL | REMARKS | REV. |
| MATERIAL | N/A | DRAW | DESIGN | CHECK | APPRO. | TITLE |
| FINISH | N/A | | | | | RM OMNI WHEEL ASS'Y |
| TOLERANCE | Decimal | Angle | | | | PART NO. |
| | X ±0.1 | | | | | DWG NO. |
| | XX ±0.05 | | | | | |
| SCALE | 1:1 | UNIT (mm) | | MODEL | RM OMNI WHEEL | RoboMecha |
| REVISION | IR | SHEET 1/1 | CP NAME | | | A4 |